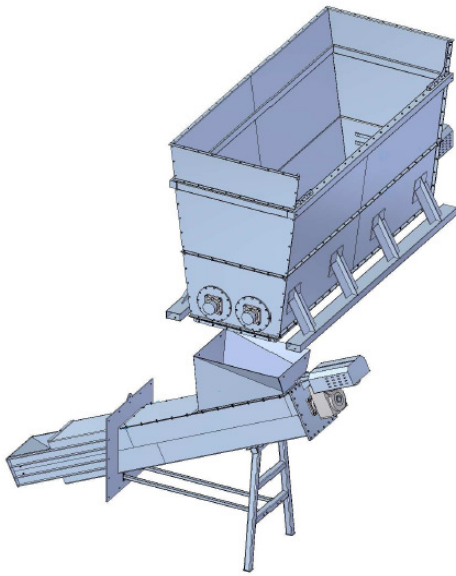


**KK Feeding Station**



	<b>KKFS 16</b>	<b>KKFS 18</b>
<b>Capacity:</b>	16 m <sup>3</sup>	18 m <sup>3</sup>
<b>Motor output:</b>	2x 5.5kW/400V	2x 7.5 kW/400V
<b>Speed:</b>	11 1/min.	11 1/min.
<b>Electr. control system: (optional):</b>	control cabinet with overload protection, emergency shut-off, ON/OFF switch, CEKON plug 32A, (commutator) time control or weighing control	
<b>Feeding station for dosing renewable raw materials:</b>		
- corn silage, whole crop silage, grass silage	- groats, solid dung, dung from sloped floor systems	
<b>Benefits of the KK Feeding Station:</b>		
<ul style="list-style-type: none"> <li>- simple, robust, affordable</li> <li>- stainless steel lining (optional)</li> <li>- suitable for dung collected from sloped floor systems</li> <li>- suitable for grass silage collected with self-loading trailers</li> </ul>		

